

# DALI PHANTOM

Don't look - just listen



DALI PHANTOM E  
DALI PHANTOM K  
DALI PHANTOM H  
DALI PHANTOM M  
DALI PHANTOM S



IN ADMIRATION OF MUSIC

# DALI PHANTOM K



DALI PHANTOM K-60

DALI PHANTOM K-80

The K-series builds upon the successful design of the E-series in-ceiling speakers and offers a step up in terms of overall performance.

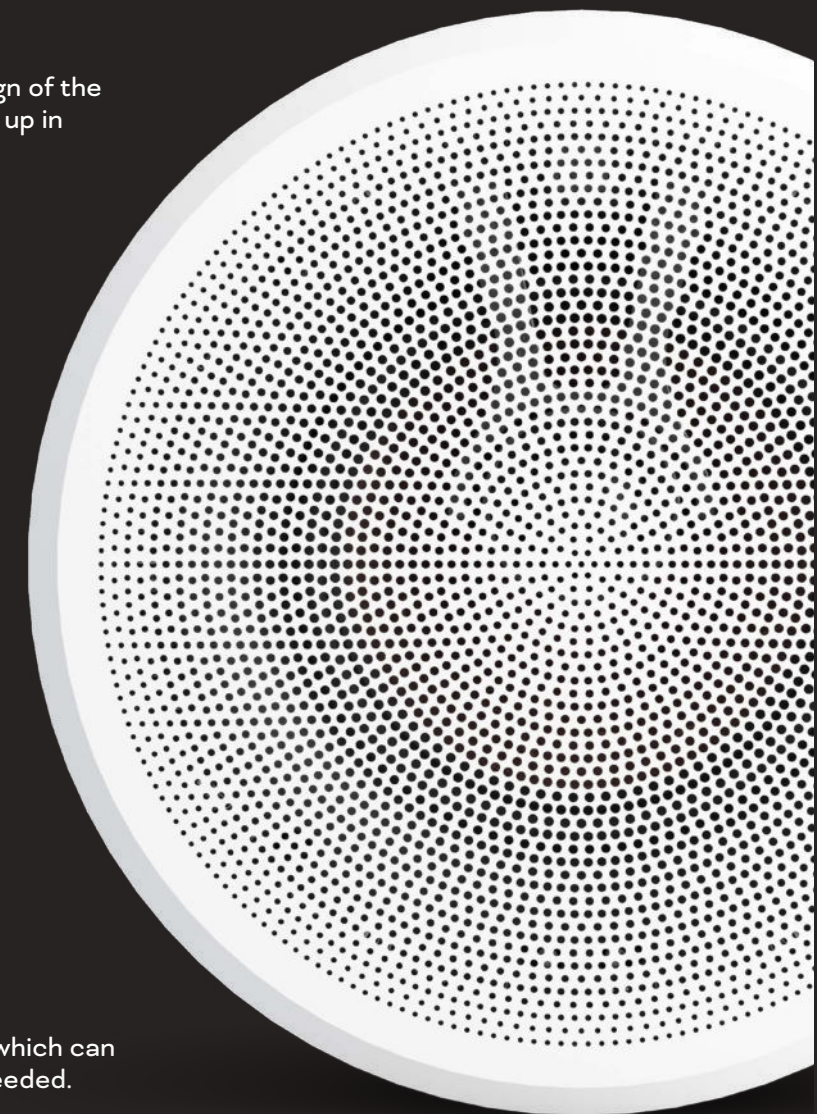
Both models in the series use the signature DALI wood fibre cones, making them the first in our in-ceiling offering to do so.

With the use of wood fibre cones, the K series perfectly matches with all other DALI loudspeakers, making it the perfect choice for an in-ceiling speaker in a DALI home cinema set-up.

An improved magnet motor system for the woofer also ensures better low end reproduction, making them capable of filling even larger rooms with sound.

The angled driver and adjustable tweeter enable the listener to fine tune the sound to perfectly suit the listening position, whether the speakers are utilised in a two channel system for music, or a multi channel set-up for movies. Therefore, allowing much more flexibility with the positioning of the speakers in the ceiling.

We have also designed an optional back-can which can be retrofitted through the mounting hole, if needed.



DALI PHANTOM K-60 GRILL



## DALI PHANTOM K-80

With its powerful 8" mid-bass woofer, the DALI PHANTOM K-80 brings room filling sound to even the largest of rooms..

Along with the K-60, it features multiple options for adjusting its sound – only with more low-end power on tap.

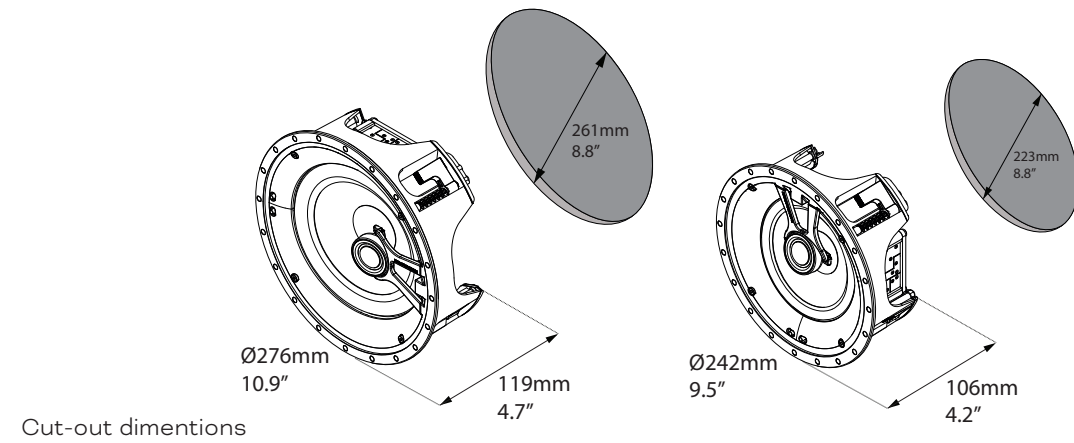


## DALI PHANTOM K-60

A medium-sized speaker sporting the well-known DALI wood fibre woofer. The K-60 will fit almost anywhere, while still delivering uperb sound.

A very flexible design, with enough options for adjustment to make it sing in any situation.





DALI PHANTOM	K-80	K-60
Frequency Range +/- 3 dB	48 - 25,000 Hz	51 - 25,000 Hz
Sensitivity (2.83V/1m)	87 dB	87 dB
Nominal Impedance	6 ohm	6 ohm
Maximum SPL	107 dB	104 dB
Crossover Frequency	3,000 Hz	3,000 Hz
Recommended Amplifier Power	50 - 200	40 - 150
High Frequency Driver	1 x 28 mm soft dome	1 x 28 mm soft dome
Low Frequency Driver/Mid-range Driver(s)	1 x 8"	1 x 6½"
Connection Input	2 x Single wire	2 x Single wire
Dimensions (Ø x D)	Ø 30.1 x 11.4 cm Ø 11.9 x 4.5 inches	Ø 26.5 x 10.2 cm Ø 10.4 x 4.0 inches
Cut-out Dimensions (Ø)	Ø 26,1 cm Ø 10.3 inches	Ø 22.3 cm Ø 8.8 inches
Weight [kg/lbs]	3.19/7.10	2.0/4.41
Finish	White	White
Accessories	Cut-out template Front grille	Cut-out template Front grille



The K-series tweeter is slightly offset compared to the center of the woofer, therefore avoiding resonant peaks in the midrange, compared to conventional coaxial driver designs.