

DALI PHANTOM

Don't look - just listen



DALI PHANTOM E
DALI PHANTOM K
DALI PHANTOM H
DALI PHANTOM M
DALI PHANTOM S



IN ADMIRATION OF MUSIC

DALI PHANTOM E



The DALI PHANTOM E-series is designed for optimum in-ceiling use, but can also be mounted for in-wall solutions.

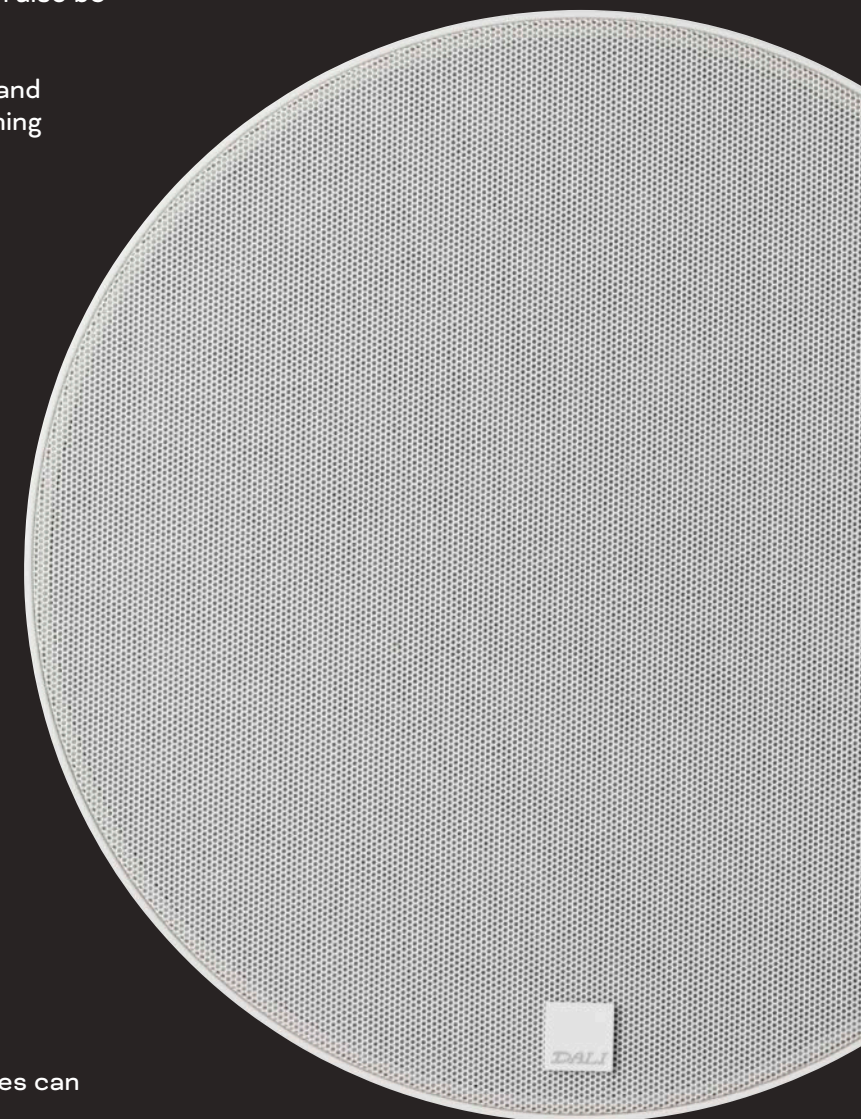
The compact sized construction and the easy-to-use compass positioning system, makes placing the speaker for the optimum sound experience extremely simple.

Two discreet switches offer audio adjustment options to ensure that the listener gets the most from the speakers, even in rooms that are traditionally difficult to handle acoustically.

The tilted woofer and the slightly off-centre soft dome tweeter blend gracefully and produce a richly detailed and crisp soundstage.

The polypropylene cone is more resilient towards humidity than the traditional DALI cone material – wood fibre, making the PHANTOM E-series flexible in regards to placements in covered outdoor areas and bathrooms.

Optionally, the PHANTOM E-series can be fitted with a square front grill.



DALI PHANTOM E-80



DALI PHANTOM E-80

With the PHANTOM E-80, it's all about big sound. Drawing on every part of its 8" woofer, it will fill even the largest rooms with sound.

This makes them the perfect to use as the main loudspeakers in a living room, for either a stereo setup or a surround system.



DALI PHANTOM E-60

This model is the perfect all-around loudspeaker. Easy to place, but big enough to deliver a full and complete audio experience.

Use it for a stereo setup in a kitchen or family room, or as side/rear speakers to complete a surround setup in larger rooms.



DALI PHANTOM E-60 S

The PHANTOM E-60 S is the first install stereo speaker by DALI. It features two 20 mm tweeters and is perfect for small to medium-sized rooms or as height speakers in a multi-channel setup.

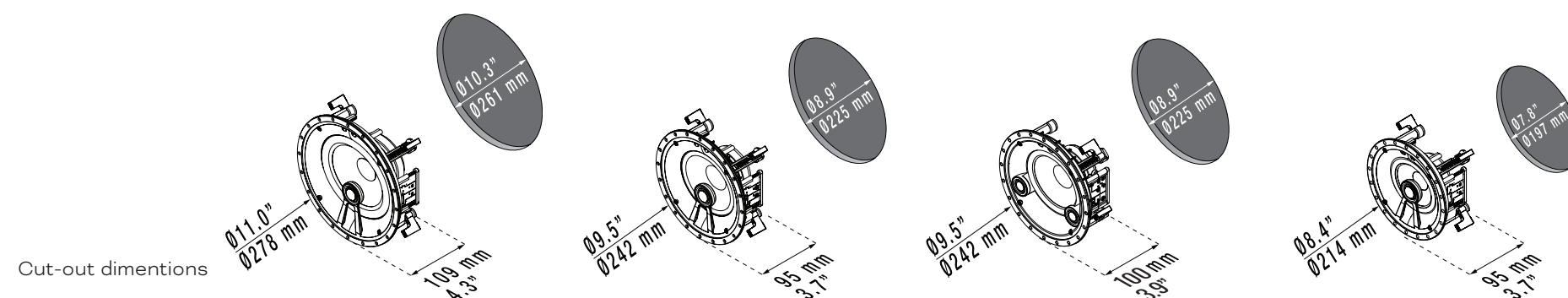
The E-60 S can be tuned to the room's acoustics, resulting in a fantastic integration and a high level of details.



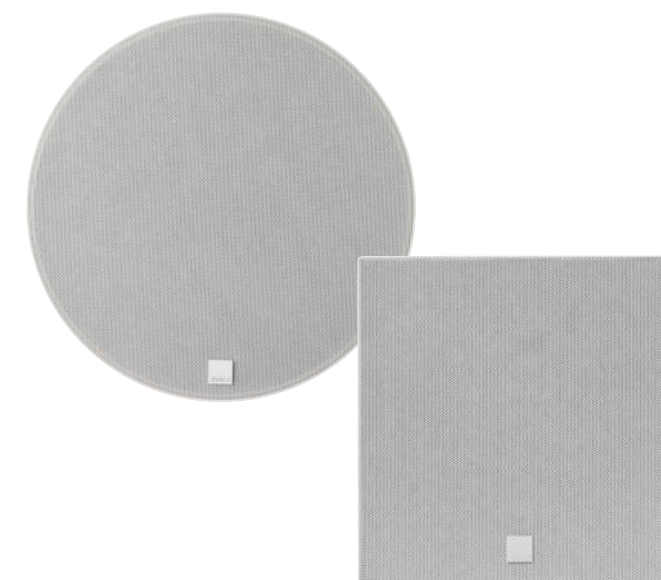
DALI PHANTOM E-50

This compact in-ceiling loudspeaker delivers an incredibly clear and well-defined audio experience, and despite its size, will impress with the level of bass it can produce.

The size makes it perfect for a stereo setup in a small room, or as rear loudspeakers in a surround setup.



DALI PHANTOM	E-80	E-60	E-60 S	E-50
Frequency Range +/- 3 dB	49 - 25,000 Hz	52 - 25,000 Hz	57 - 25,000 Hz	58 - 25,000 Hz
Sensitivity (2.83V/1m)	89.5 dB	88 dB	90 dB	87 dB
Nominal Impedance	6 ohm	8 ohm	8 + 8 ohm	8 ohm
Maximum SPL	107 dB	105 dB	105 dB	104 dB
Crossover Frequency	3,200 Hz	3,300 Hz	2,600 Hz	3,600 Hz
Crossover Principle	2-way	2-way	2-way	2-way
Recommended Amplifier Power	30 - 150	30 - 120	2 x 20 - 80	40 - 120
High Frequency Driver	1 x 28 mm soft dome	1 x 28 mm soft dome	2 x 20 mm soft dome	1 x 28 mm soft dome
Low Frequency Driver/Mid-range Driver(s)	1 x 8"	1 x 6½"	1 x 6½"	1 x 5¼"
Enclosure type	Open back	Open back	Open back	Open back
Connection Input	Single wire	Single wire	2 x Single wire	Single wire
Functions	Normal/HF Tilt, Focus/Distributed	Normal/HF Tilt, Focus/Distributed	Normal/HF Tilt Focus/Distributed	Normal/HF Tilt, Focus/Distributed
Dimensions (with grille) (H x W x D)	Ø 29.4 x 10.9 cm Ø 11.6 x 4.3 inches	Ø 25.8 x 9.95 cm Ø 10.2 x 3.9 inches	Ø 25.0 x 10 cm Ø 9.8 x 3.9 inches	Ø 23.0 x 9.95 cm Ø 9.1 x 3.9 inches
Cut-out Dimensions (H x W X D)	Ø 26.1 cm Ø 10.3 inches	Ø 22.5 cm Ø 10.3 inches	Ø 22.5 cm Ø 10.3 inches	Ø 19.9 cm Ø 7.83 inches
Recommended Volume	10 - 100	5 - 50	5 - 35	5 - 35
Weight	2.36/5.15	1.92/4.25	1.92/4.25	1.58/3.50
Accessories	Manual, Cut-out template, Logo badge	Manual, Cut-out template, Logo badge	Manual, Cut-out template, Logo badge	Manual, Cut-out template, Logo badge
Optional Accessories	Square Grille Back-box	Square Grille Back-box	Square Grille Back-box	Square Grille Back-box



Square or round grille

Have it your way: all PHANTOM E-series speakers come with a round grille as standard, but if you prefer can optionally be fitted with a square grille. Both come in a fully paintable matte white.