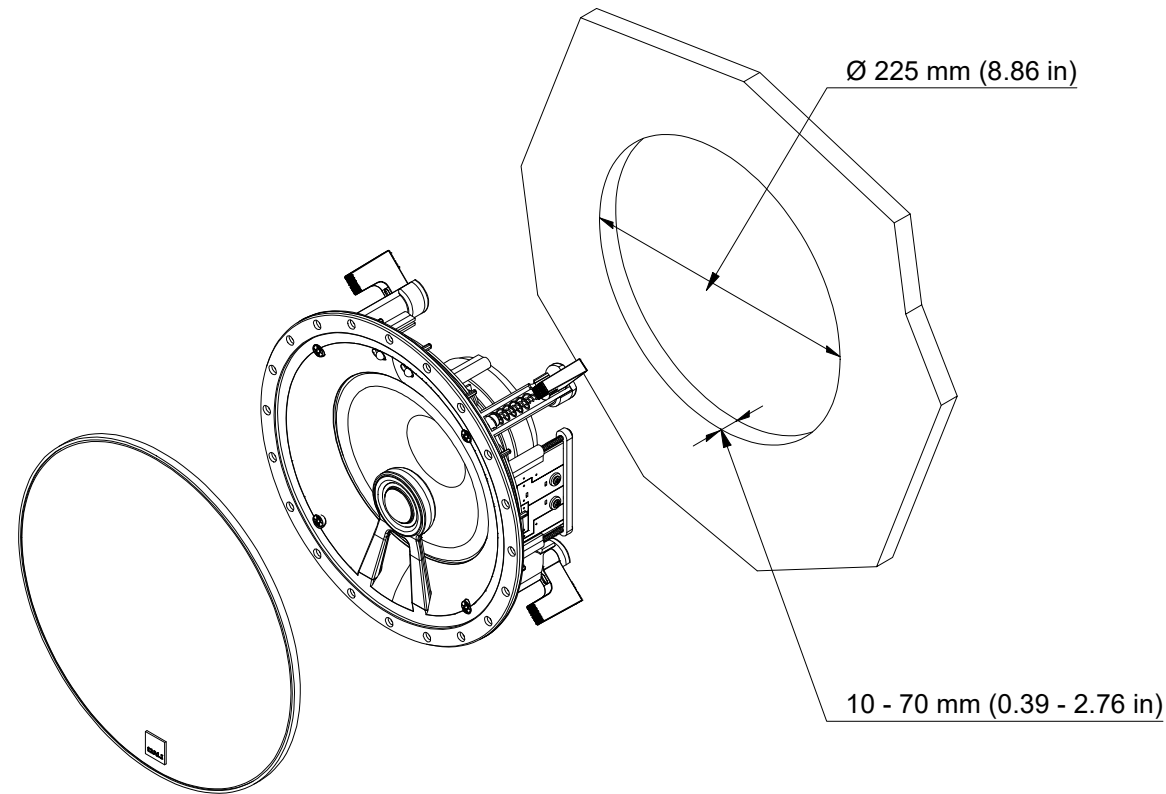
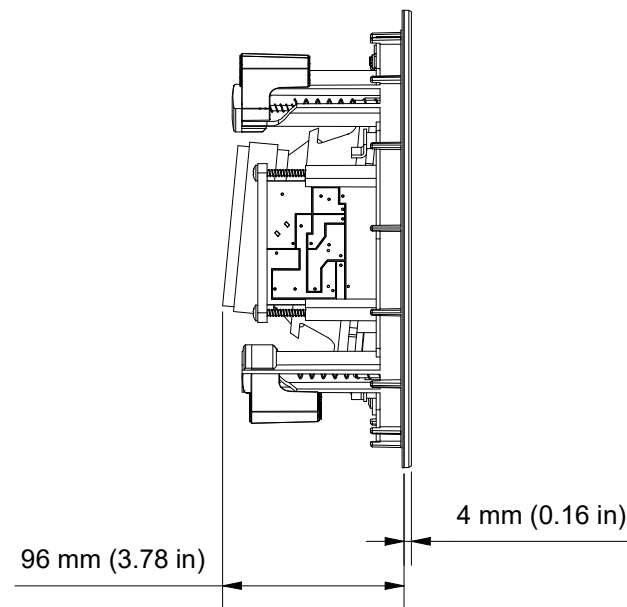
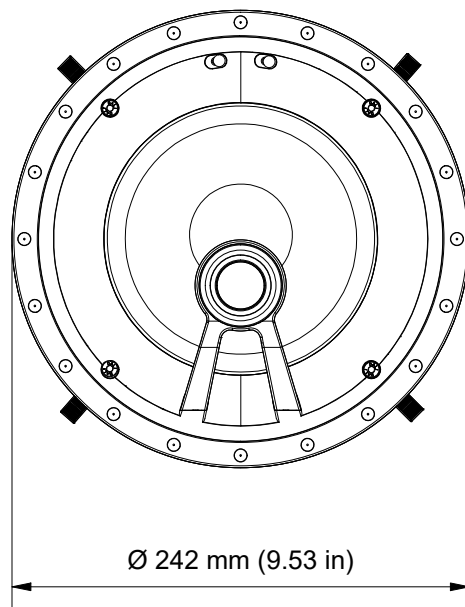


### CUT-OUT DIMENSIONS



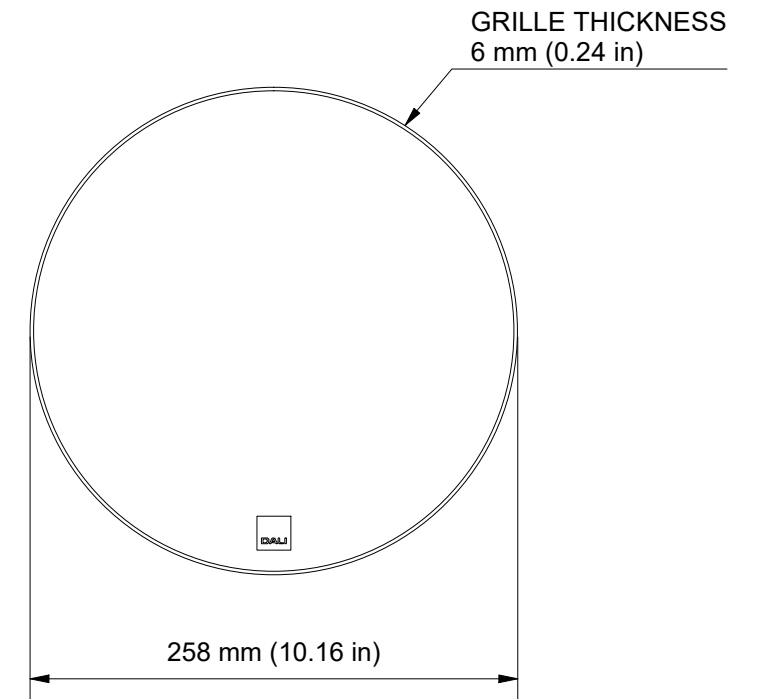
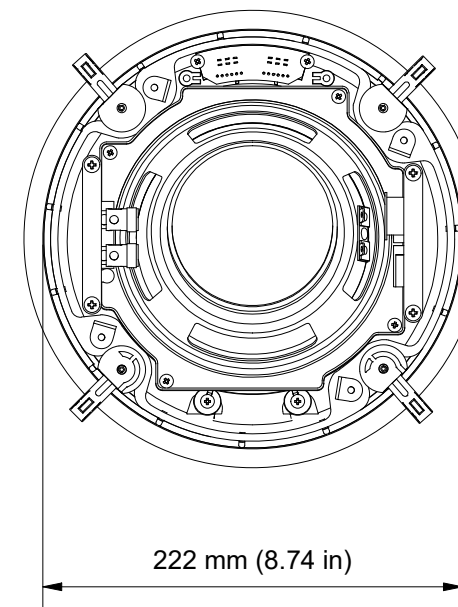
**FRONT**

**SIDE**



**BACK**

**GRILLE**



### CEILING/WALL THICKNESS

