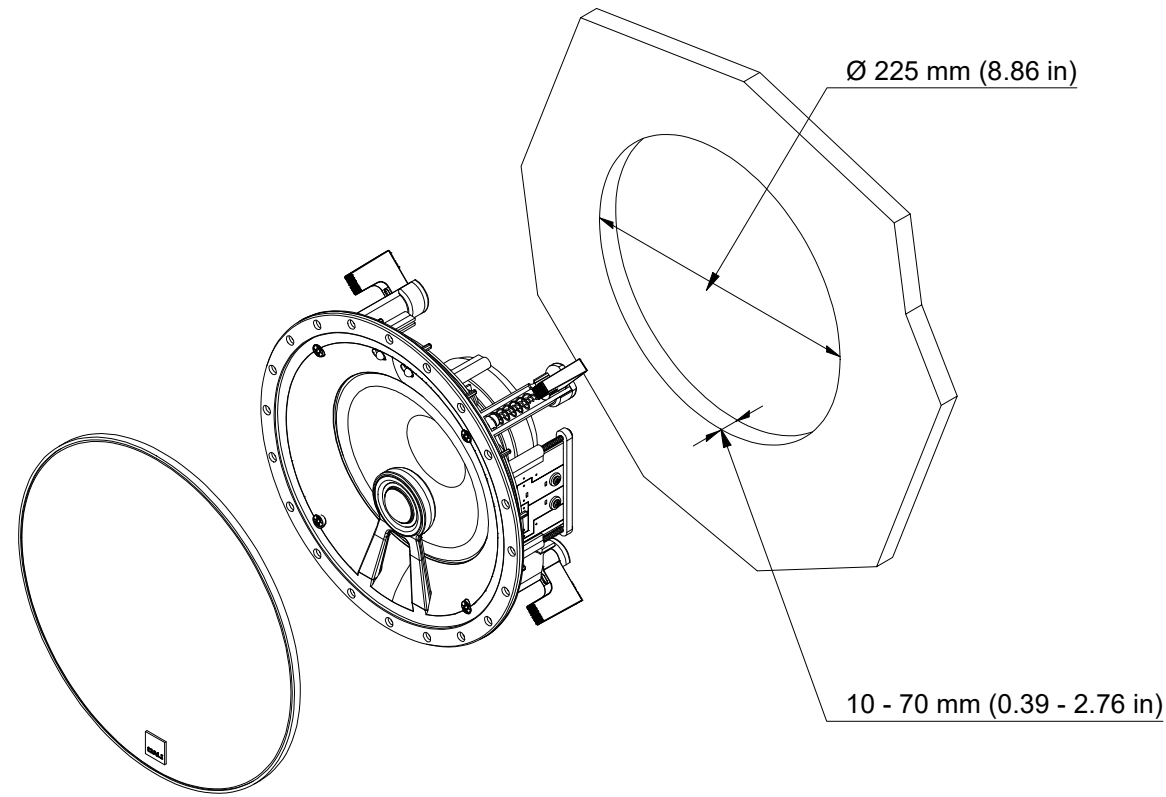


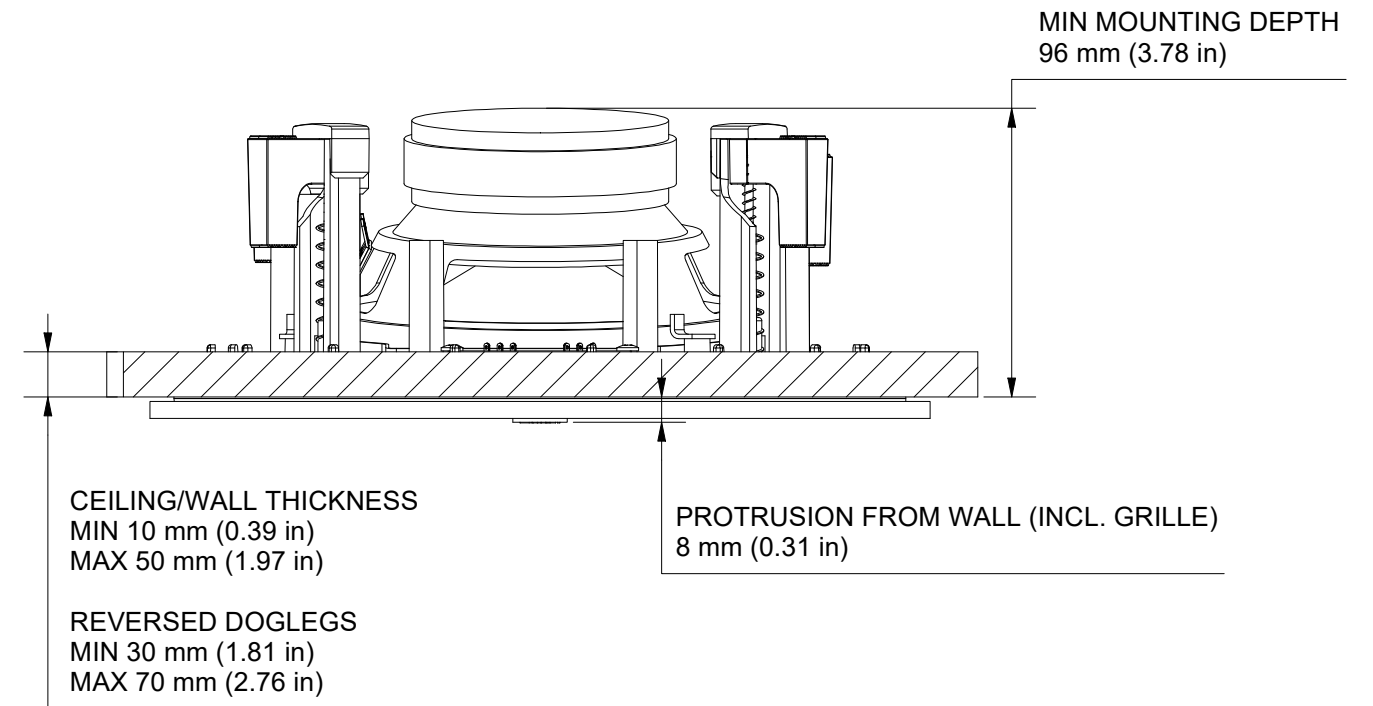
CUT-OUT DIMENSIONS



FRONT

SIDE

CEILING/WALL THICKNESS

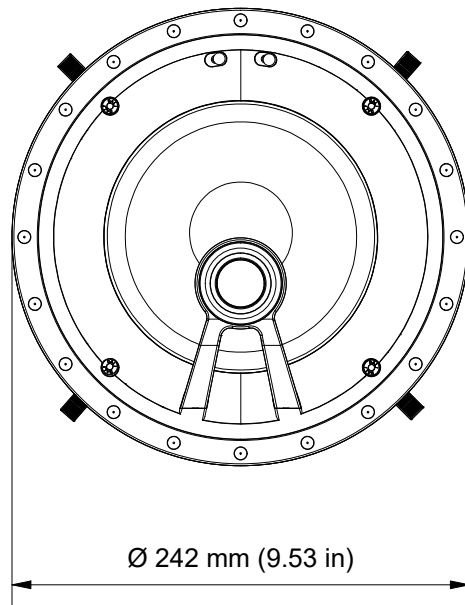


CEILING/WALL THICKNESS
MIN 10 mm (0.39 in)
MAX 50 mm (1.97 in)

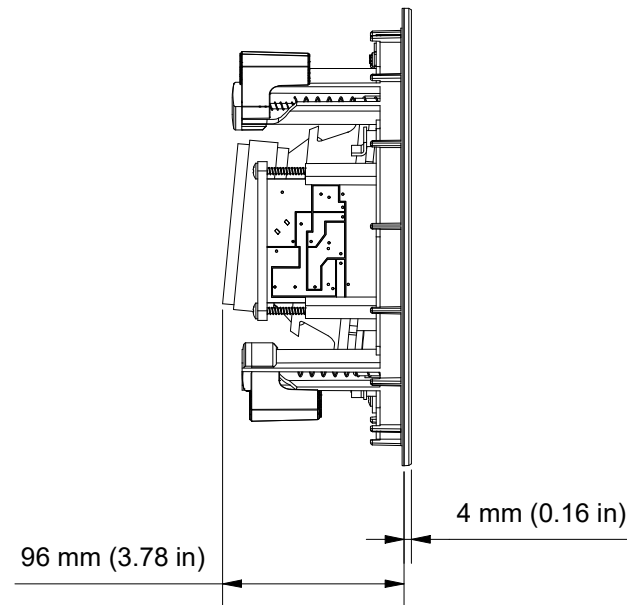
REVERSED DOGLEGS
MIN 30 mm (1.81 in)
MAX 70 mm (2.76 in)

MIN MOUNTING DEPTH
96 mm (3.78 in)

PROTRUSION FROM WALL (INCL. GRILLE)
8 mm (0.31 in)



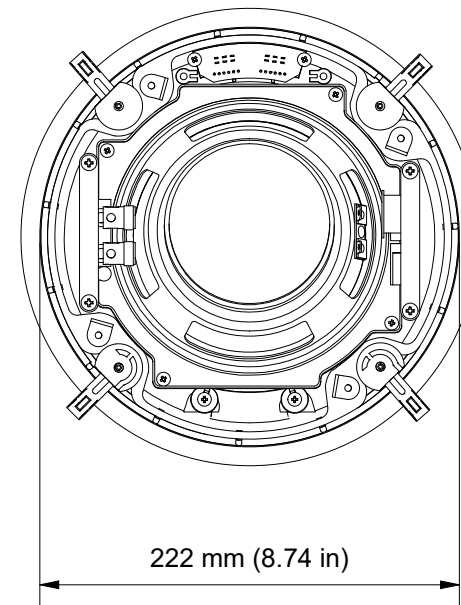
Ø 242 mm (9.53 in)



96 mm (3.78 in)

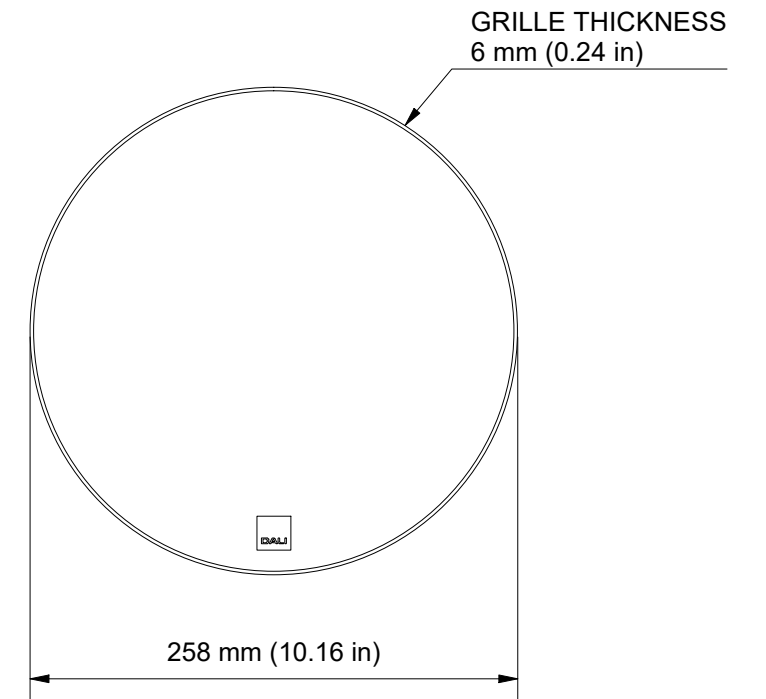
4 mm (0.16 in)

BACK



222 mm (8.74 in)

GRILLE



258 mm (10.16 in)

GRILLE THICKNESS
6 mm (0.24 in)