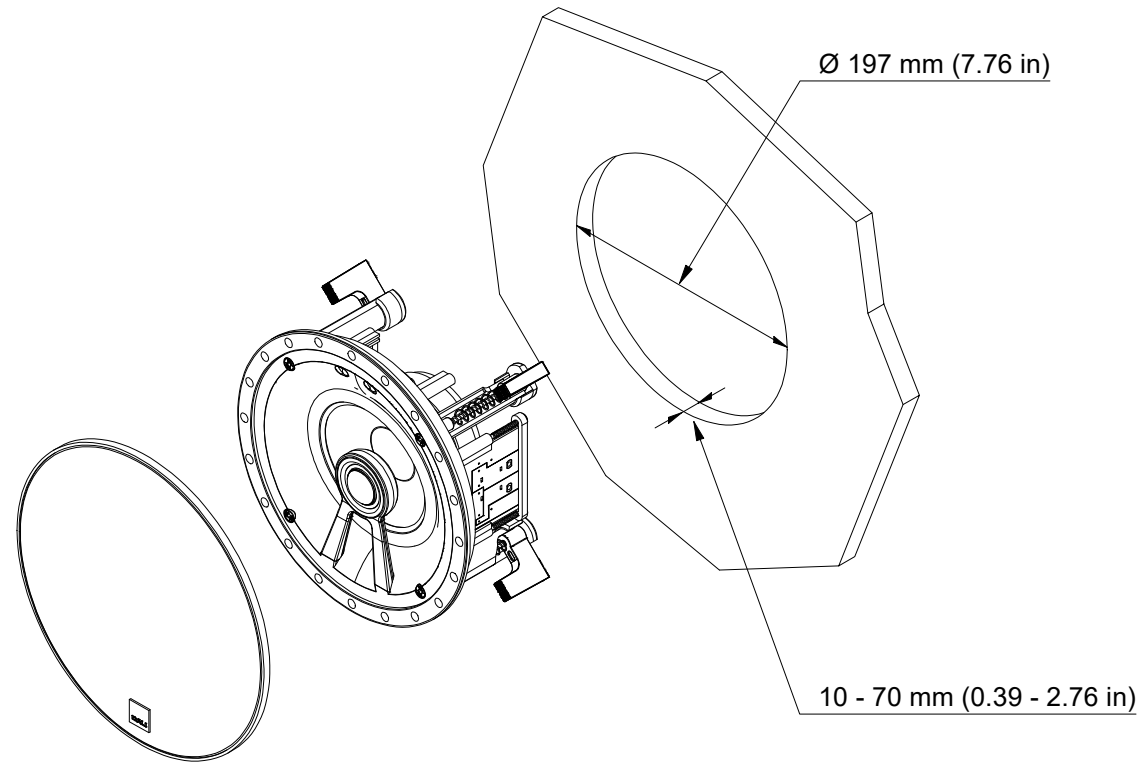
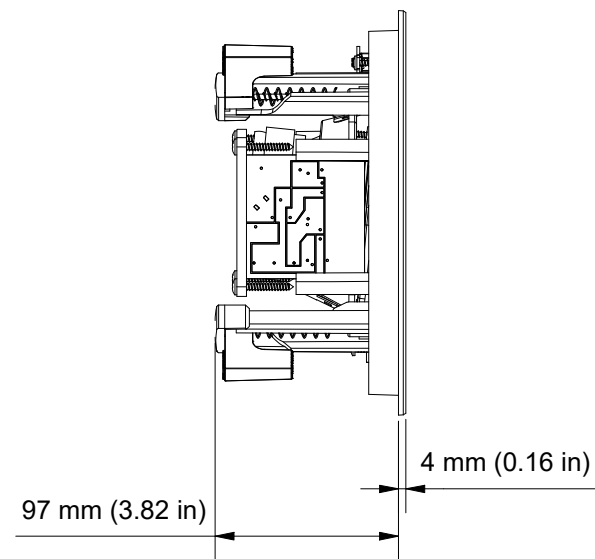
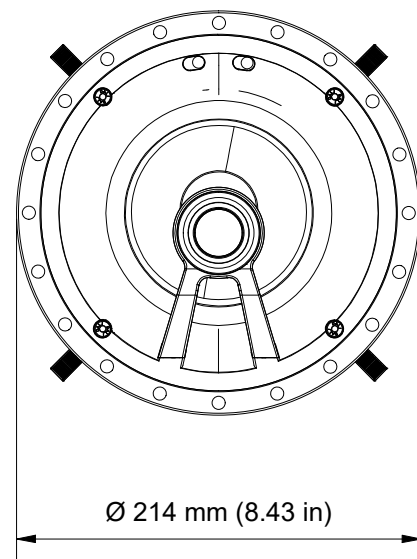


### CUT-OUT DIMENSIONS

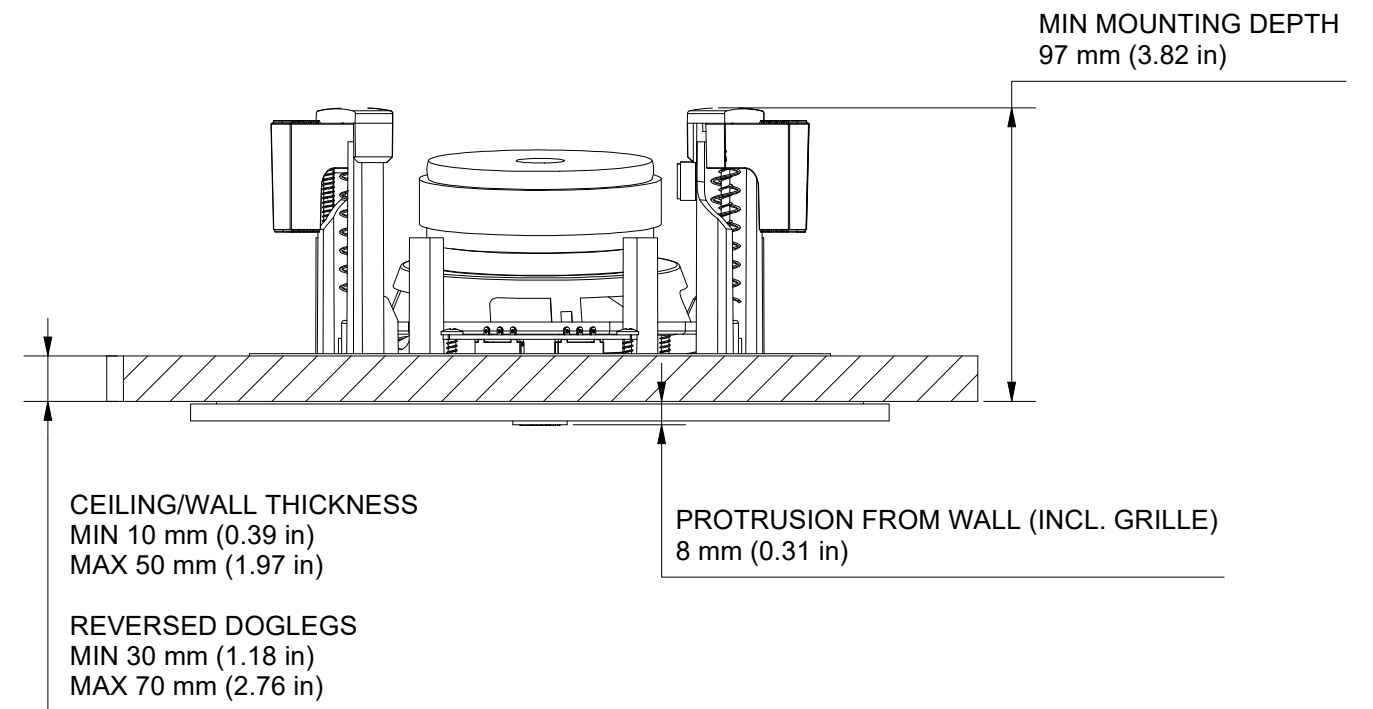


**FRONT**

**SIDE**



### CEILING/WALL THICKNESS



**BACK**

**GRILLE**

